

Portable Digital Radiography System based on our Generator Technology



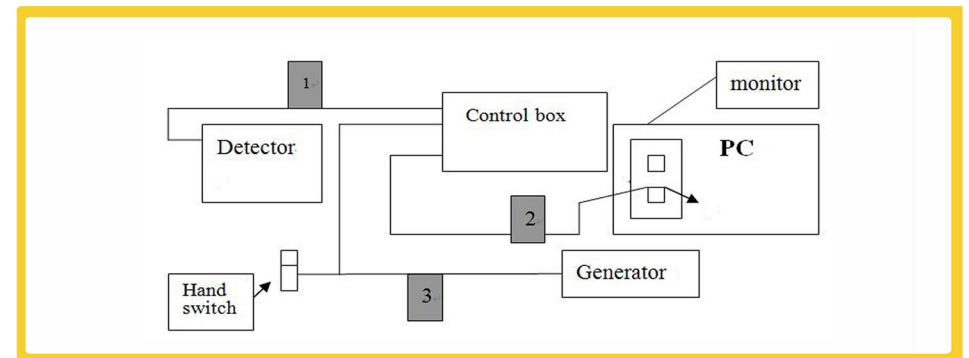
ECOVIEW 1210 / 810

GENERATOR SPECIFICATION

Model	8016HF	9020HF
Type of generator	Monobloc design (high frequency inverter generator, full bridge discrete IGBT)	
Power requirement (max.)	1.2 kVA	1.35kVA
Adjustable kV (1kV steps)	40-80kV	40-90kV
mAs range	0.32-30mAs (22steps)	0.32-30mAs (21steps)
Max programmed mA output by kV level	10, 15, 16mA	12, 15, 16, 18, 20mA
Focal spot of tube	1.0 x 1.0 mm	1.2 x 1.2 mm
Exposure time	0.02 - 2.5sec	
Total filtration	27 x 27cm @ 66cm SID	
Collimator lamp	Duration of 30sec Higher than 100lx	
APR memory	8 memory standard and extendable to 16 combinations	
SID measurement	Dual laser pointer & tape measuring	
Line voltage (required)	110 - 130V 50/60Hz single phase 20A or 200 -260 V 50/60Hz single phase 16A	
Weight (without accessories)	6.4kg	7.0kg
Size (L x W x H) mm	280 x 140 x 150	275 x 140 x 150



CABLE CONNECTION



1. Detector sync. cable-5m(Detector - Control Box)
2. Ethernet cable -5m (PC - Control Box)
3. Generator syn. Cable-5m (Generator - Control Box)



EcoRay Co.,LTD.

#402, 4F Cygnus B/D, 115-12, Nonhyun dong, Kangnam gu, Seoul, Korea 135-821
 Factory at 621-14, Dochun dong, Gwangsan gu, Gwangju, Korea
 Tel)+82 70 7510 3400 Fax)+82 70 8630 3420
 email to sales@ecoray.kr web site at www.ecoray.kr / www.acomaxray.com

ECOVIEW PORTABLE DR

Developed specially for veterinarians.

Packs into one carrying case for quick transportation and set up.

EcoView™ Imaging software takes full advantage of the valuable diagnostic information.

ORANGE PORTABLE X-RAY UNIT WITH OWN GENERATOR TECHNOLOGY

Big Output (90kV/20mA or 80kV/16mA)

Solid body with light weight

Balance bubble for Horizontality

One-hand Collimator Control

Ball angle gauge for easy angle check



ALUMINUM CASE

Light hand carry case

Power cable, Manual, Shoulder Strap,
and Extra collimator lamp inside.



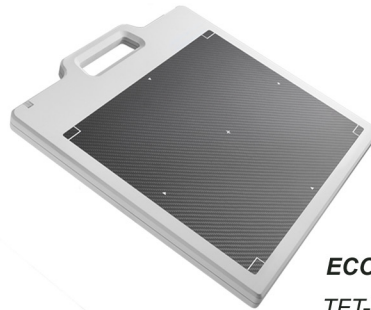
CONTROL BOX

- Dimension : 224(W) x 260.5(D) x 55(H)mm

- Weight : 3.75kg

- Input power 115/230VAC, 50/60Hz (Frame Ground needed)

FLAT PANEL DETECTOR



ECOVIEW 1210

TFT-amorphous silicon

Detecting Area : 10" x 12"

Pixel Size : 127µm x 127µm

Resolution : 2,560 x 2,080

Image acquisition time : 2.5 sec

Weight : 3.4kg



ECOVIEW 810

TFT-amorphous selenium

Detecting Area : 8" x 10"

Pixel Size : 129µm x 129µm

Resolution : 1,536 x 2,048 (3.1 mega pixels)

Image acquisition time : < 4 sec after exposure

Weight : 3.0kg

TROLLEY

Hard case, protecting against impact outside

Dimension : 632 x 602 x 333mm (10kg)

Detector, Control Box, Laptop, and other
accessories inside.



ECOVIEW SOFTWARE

Acquisition Time after image process : 5-7 secs

Software Matrix Resolution : 1440 x 900

(or any 16:10 ration display resolution)

Modality Type : Support CR & DR

DICOM : Supports DICOM 3.0 Standard, including DICOM Storage SCU

DICOM Worklist SCU, DICOM Print SCU, and MPPS

Storage Backup : Supports backup to CD/DVD, Flash Disk and URL

Secondary post-processing : ANALYTICA

Generator Interface : Synchronizes with generator exposure time

Exposure factor : Programs default X-ray technique for each study

Exposure indicator

Patient Size selection

Supports gridline suppression and AEC



LABTOP

- Intel Pentium Core 2 Duo 2.4Ghz, 2GB RAM Memory

- 15.4"(1680 x 1050), 320GB, WiFi Wireless LAN